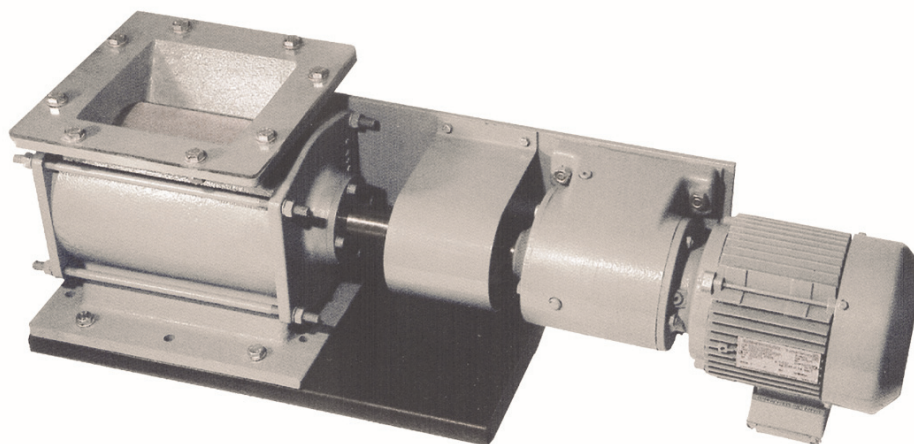


**FOR THE EFFICIENT DOSING OF BULK GOODS OF ALL KINDS  
FROM SILOS AND BUNKERS**



- The STANELLE rotary valve is robustly special designed for use conveying and dosing of solid products.
- Different cellular wheels, combined with an adapted number of revolutions, enable a fine graduation of through flow.

**Areas of Application**

- The rotary valve is built upon large dimensioned and permanently greased roller bearings, which are sealed by shaft realing.
- The rotary valve guarantees perfect closing, due to closed and accurate design of casing and valves.

**Details / Explanation**

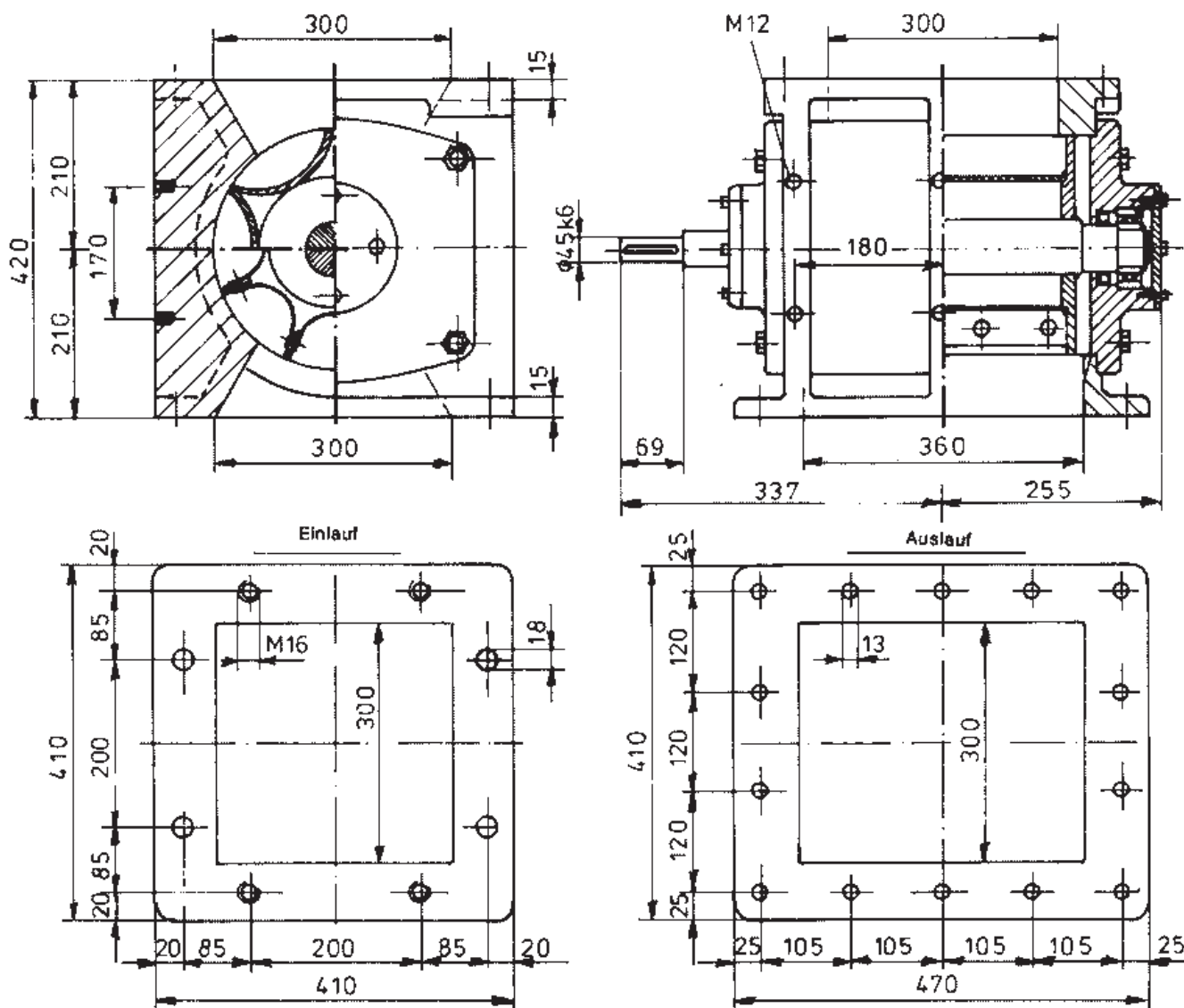
- Body and bearing cap: Cast iron
- Cellular wheel: Steel, partially with vulkollan strips

- Rust removal: SA 2,5
- Primer: 2K; 40µm
- Top coat: 2K; 40µm; RAL 9006  
different colours on request

**Finish**

### Dimension Drawing Cellular Wheel Sluice

Type	A 200/0,6	A 200/1,8	A 200/3,2	A 200/4,3	A 300/7,4	A 300/11,4	A 300/13	A 350/18	A 350/24
Total height (mm)	300	300	300	300	420	420	420	480	480
Total length (mm)	520	520	520	520	595	595	595	690	690
Total width (mm)	310	310	310	310	410	410	410	410	410
Inlet (mm x mm)	200 X 200	200 X 200	200 X 200	200 X 200	300 x 300	300 x 300	300 x 300	350 x 350	350 x 350
Volume flow per rotation (l)	0,6	1,8	3,2	4,3	7,4	11,4	13	18	24
Theoretical volume flow for regarding 25 Upm (m <sup>3</sup> / h)	1,0	3,5	6,0	7,5	12	18	20	25	35



### Article number

Type	A 200/0,6	A 200/1,8	A 200/3,2	A 200/4,3	A 300/7,4	A 300/11,4	A 300/13	A 350/18	A 350/24
Article number									