

MECHANICAL DISCHARGE DEVICE VIBRATING CAGE



Optional with slider

The Stanelle vibrating cage serves as discharge aid for all lazy flowing and bridge-building, dry, dusty to granulated bulk materials. Major advantage over air operated systems is that the discharged bulk materials do not contain fluidizing air. This has positive effects during bagging as well as when loading silo vehicles. The flanged version with 60° outlet slope can easily be attached to any silo or bunker - even subsequent.

Areas of application

- Free of fluidizing air
- Elimination of disturbing fluidising air
- Simple installation and maintenance
- Non-positive connection - no need for complex constructions to hold the basket
- Compact, wear-protecting design, no protruding parts
- No fragile sleeves
- On request pressure shock resistant up to 3 bar or pressure resistant up to 7 bar, as well as Ex-protected
- Temperature range up to 80° C standard - other temperature ranges on request
- Cone can be heated and insulated

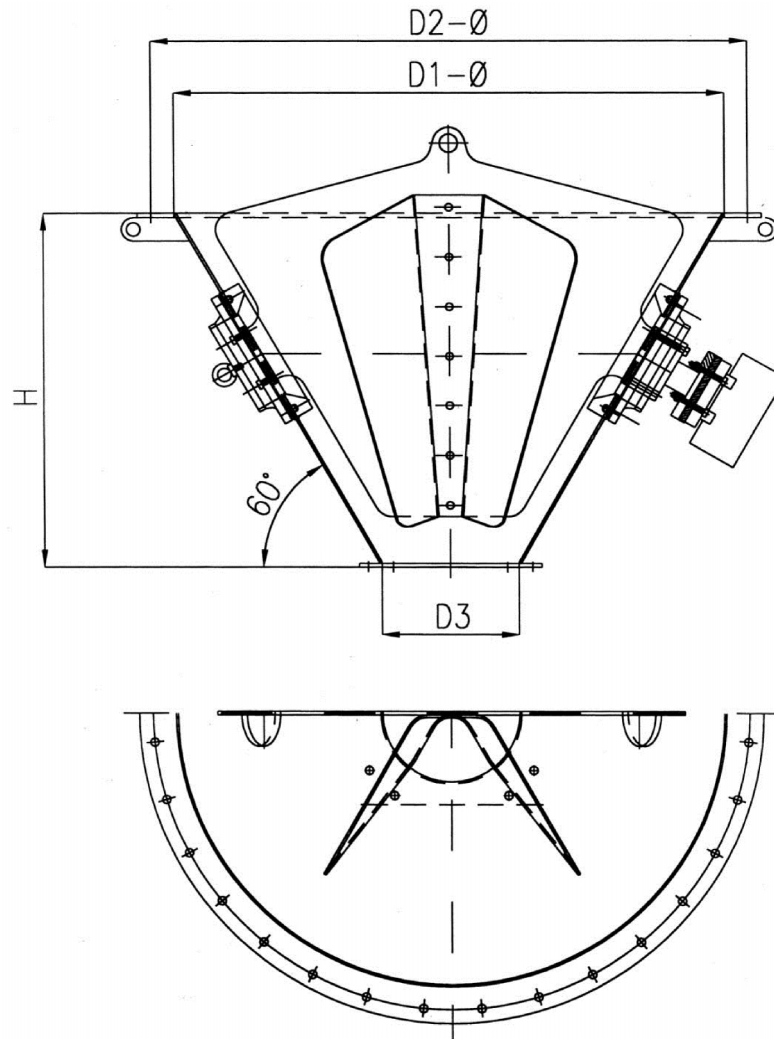
Details / Explanation

- Rust removal: SA 2,5
Primer: 2K; 40µm
Top coat: 2K; RAL 9006; 40µm
or for stainless steel versions glass bead blasted

Finish

Dimensions and technical data

| Nominal diameter | Ø 1200 | Ø 1500 | Ø 1800 |
|---------------------|---------------------|-----------|-----------|
| D1 ø | 1200 | 1500 | 1800 |
| D2 ø | 1300 | 1600 | 1900 |
| Number of holes x ø | 32 x ø 18 | 36 x ø 18 | 40 x ø 18 |
| D3 – ø, H | on customer inquiry | | |
| Vibration engine | 0,16 KW | | |
| Voltage | 400, 500, or 690 V | | |



Article number

| Nominal diameter 60° / 400V | Ø 1200 | | Ø 1500 | | Ø 1800 | |
|-----------------------------|------------|------------|------------|------------|------------|------------|
| | S235JR | VA 1.4301 | S235JR | VA 1.4301 | S235JR | VA 1.4301 |
| Article number | 741 10 006 | 741 10 008 | 741 10 005 | 741 10 009 | 741 10 004 | 741 10 010 |

| Nominal diameter 65° / 400V | Ø 1200 S235JR | Ø 1500 S235JR | Ø 1800 S235JR |
|-----------------------------|---------------|---------------|---------------|
| Article number | 741 10 052 | 741 10 037 | 741 10 038 |

| Nominal diameter 70° / 400V | Ø 1500 | Ø 1800 |
|-----------------------------|------------|------------|
| Article number | 741 10 042 | 741 10 055 |

Other materials and designs available on request

Notice





Accessories counterflange

| Nominal diameter | Ø 1200 | | Ø 1500 | | Ø 1800 | |
|------------------|---------------|---------------|---------------|---------------|---------------|---------------|
| | S235JR | VA 1.4301 | S235JR | VA 1.4301 | S235JR | VA 1.4301 |
| Article number | 741 10 006-01 | 741 10 008-02 | 741 10 005-01 | 741 10 009-02 | 741 10 004-01 | 741 10 010-02 |

Equipment / Spare parts

| | Article number | |
|---|----------------|---|
| Vibration generator 400 V / AC | 882 10 001 |  |
| Vibration generator, ATEX , II 2 G/D  | 882 10 013 |  |
| Discharge star 60° 1200 | 741 10 046 |  |
| Discharge star 60° 1500 | 741 10 056 |  |
| Discharge star 60° 1800 | 741 10 057 |  |
| Clamping plate | 741 10 027 |  |
| Clamping piece | 741 10 026 |  |
| Shaft connection | 741 10 025 |  |

Equipment / Spare parts

| | Article number | |
|--------------------------|----------------|---|
| Vibrating element (S235) | 741 10 015 |  |
| Vibrating element (VA) | 741 10 021 |  |